

# Young's Machine Company

Ph(435)587-2292 Fax(435)587-2312

[www.youngsmachine.com](http://www.youngsmachine.com) e-mail:[youngsmachine@frontiernet.net](mailto:youngsmachine@frontiernet.net)

---

## SPEC SHEET

**474T12HD** 4wheel drive articulated haul truck is built with the following standard equipment and specifications:

### ENGINE:

- Cummins QSB6.7 190 H.P. @ 2300 RPM
  - TEIR 3
  - Liquid cooled
  - Electronic governor
  - Dry-type two stage air cleaner
  - Optional Deutz 6 cylinder customer preference

### TRANSMISSION:

- John Deere/Funk 2263 series with full power shift transmission
  - 6 speed forward and 3 speed reverse
  - Electric shift
  - Matched John Deere torque converter
  - Engine mounted flex drive plate

### AXLES:

- John Deere heavy-duty Team-mate II 1200 series
  - Inboard planetary and inboard wet disk brakes
    - Allow them to provide dependable, safe performance in the harshest conditions.
  - Mico brake actuator and Mico charge valve with accumulator back-up.
  - 50,000 pound rated
  - 6C drive line series

### BRAKES:

- Service 4 wheel totally enclosed multiple inboard wet disc brakes
  - Hydraulic applied
  - Increased torque capacity
  - Mico brake pedal
  - Mico charge valve
  - Accumulator back-up
  - AUSCO carrier bearing with SAHR wet disc park / E brake

### RADIATOR:

- Josephson Manufacturing engine radiator
  - Engine charge air cooler
  - Transmission oil cooler

### BED CAPACITIES:

- Standard Payload 24,000 lbs
- Rock bed or Full tail gate \* customer preference

### **STEERING:**

- Articulated frame hydraulic power steering with ORBITAL STEERING
  - (2) 4 inch double acting steering cylinders
  - ± 42° steering angle each way
  - 3 inch articulation shafts
    - spherical bearings
  - Oscillation Heavy Duty
    - 24 inch slewing bearing

### **HYDRAULIC SYSTEM:**

- Load sensing pressure compensating- closed center operating system
  - Energy-saving stand-by mode
  - (2) Heavy-duty 3 ½ in. double acting steer cylinders
  - (2) Heavy-duty 4 ½ in. double acting dump cylinders
  - Heavy-duty PTO driven piston pump driven from transmission
  - 125 mesh suction filter
  - 10 micron inline high pressure filter with service gauge

### **ELECTRICAL SYSTEM:**

- 12-volt negative ground
  - Weather proof enclosures with full instrumentation
  - Heavy-duty switches, gauges, and circuit breakers
  - Safety shutdown system on engine and transmission
    - Additional warning lights included
  - Main electric cut off switch
  - Front (3) and rear (2) LED high-intensity lights
  - Heavy-duty battery
  - Signal horn
  - Audible, back-up alarm

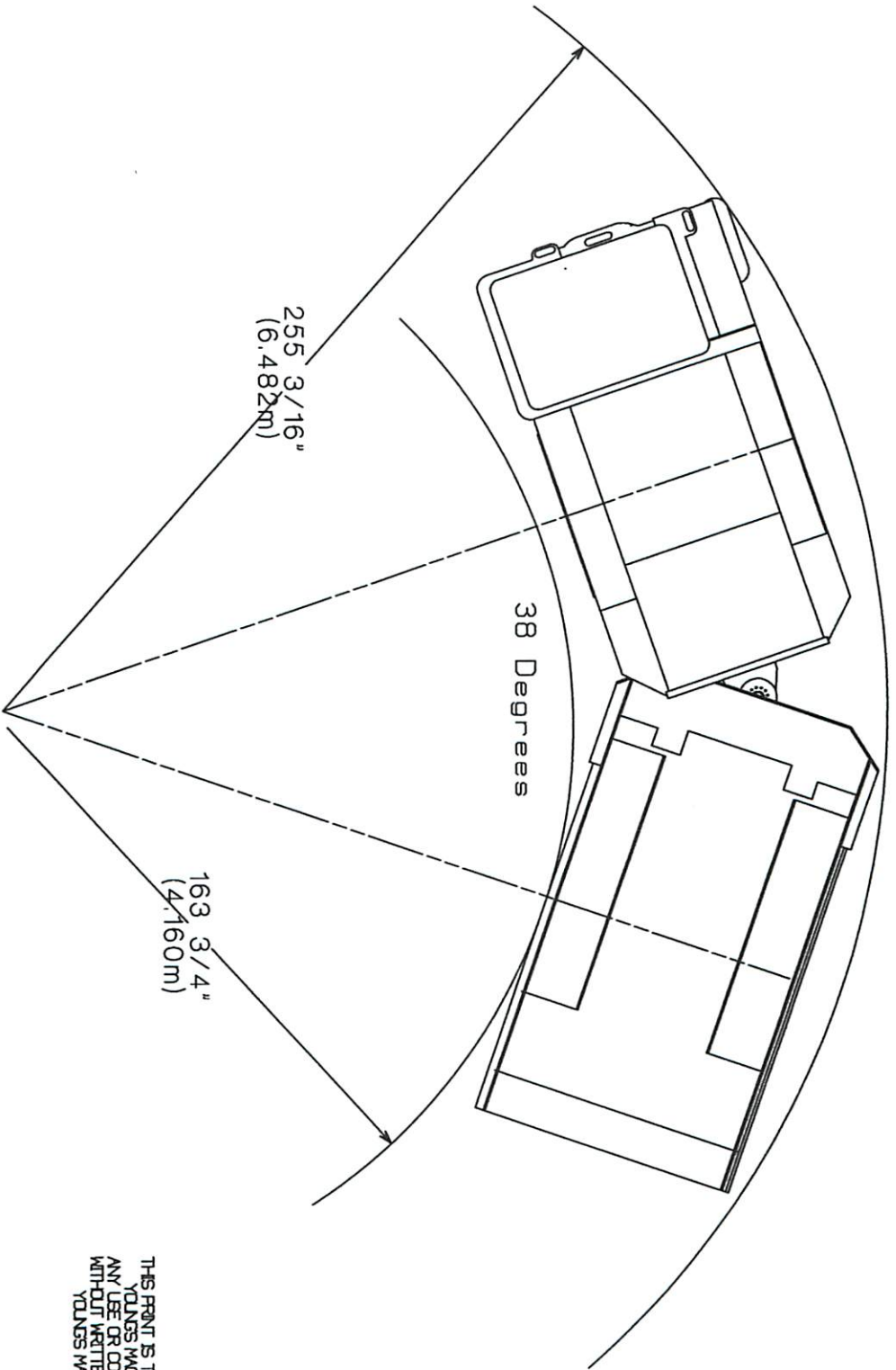
### **OTHER STANDARD EQUIPMENT FEATURED:**

- |                                    |                               |
|------------------------------------|-------------------------------|
| ● Grammer seat w/ air suspension   | ● ROPS                        |
| ● Seat belt                        | ● Mechanical shifter          |
| ● Drive Tires 12:00 x 24           | ● Sound suppression system    |
| *smooth or Lug tread               | ● Engine oil pressure         |
| ● Articulation safety bar          | ● Engine temperature          |
| ● Dump box safety bar              | ● Transmission Temperature    |
| ● Primary & secondary fuel filters | ● Volt meter                  |
| ● Dual accumulator back-up system  | ● Hour meter                  |
| ● Neutral safety start             | ● Accumulator pressure gauge  |
| ● Automatic brake application      | ● Electric horn               |
| ● Tow release                      | ● 5lb Fire extinguisher       |
|                                    | ● Conventional Steering Wheel |

### **OPTIONS:**

- |                       |                                     |
|-----------------------|-------------------------------------|
| ● Particulate filter  | ● Rock box/ Dove tail<br>AC // heat |
| ● Full cab enclosures | ● Filtered cab fresh air            |
| ● Fire suppression    | ● Teledump bed                      |
| ● Spare tire/rim      | ● Ejector Bed                       |

YOUNG'S MACHINE CO. Monticello Utah  
 474T12HD



THIS PRINT IS THE PROPERTY OF  
 YOUNG'S MACHINE CO.  
 ANY USE OR COPY IS PROHIBITED  
 WITHOUT WRITTEN PERMISSION OF  
 YOUNG'S MACHINE CO.

*Corrected Terrain  
 474T12HD used*

DESK TOP FILE:	OVERALL TRUCKS	MODEL:	474-T12-HD
PRINT NUMBER:	12 Ton Model 74 INCHES WIDE	DATE:	Apr 11 2019

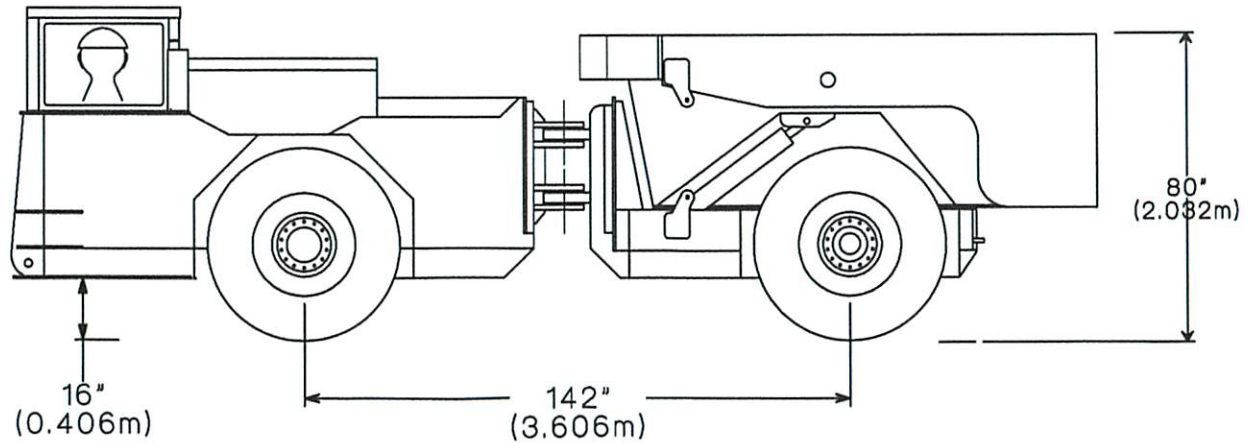
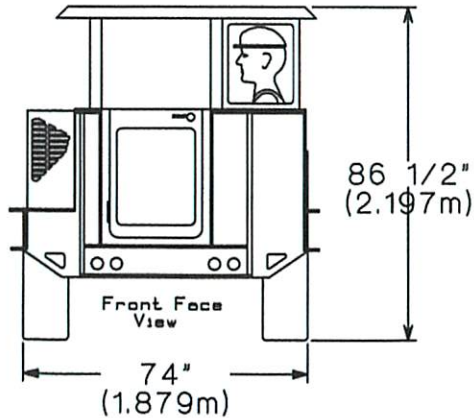
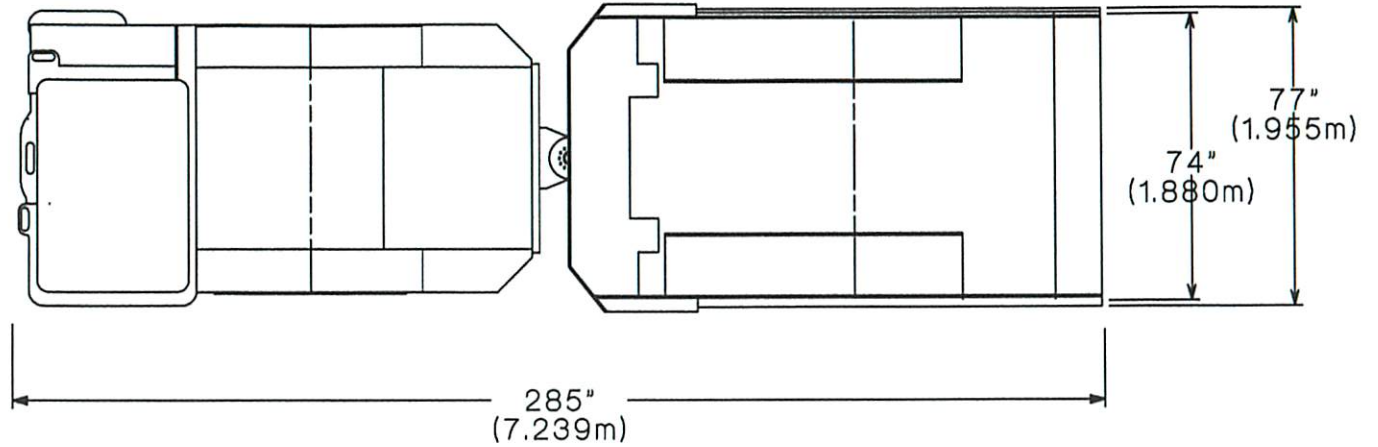
YOUNG'S MACHINE CO. Monticello Utah

474T12HD

STANDARD VOLUME

7.5 yd<sup>3</sup>---STRUCK

THIS PRINT IS THE PROPERTY OF  
YOUNG'S MACHINE CO.  
ANY USE OR COPY IS PROHIBITED  
WITHOUT WRITTEN PERMISSION OF  
YOUNG'S MACHINE CO.



*Corrected Measurements USED 474T12HD*

DESK TOP FILE:	OVERALL TRUCKS	MODEL: 474-T12-HD
PRINT NUMBER:	12 Ton Model 74 INCHES WIDE	DATE: April 2019